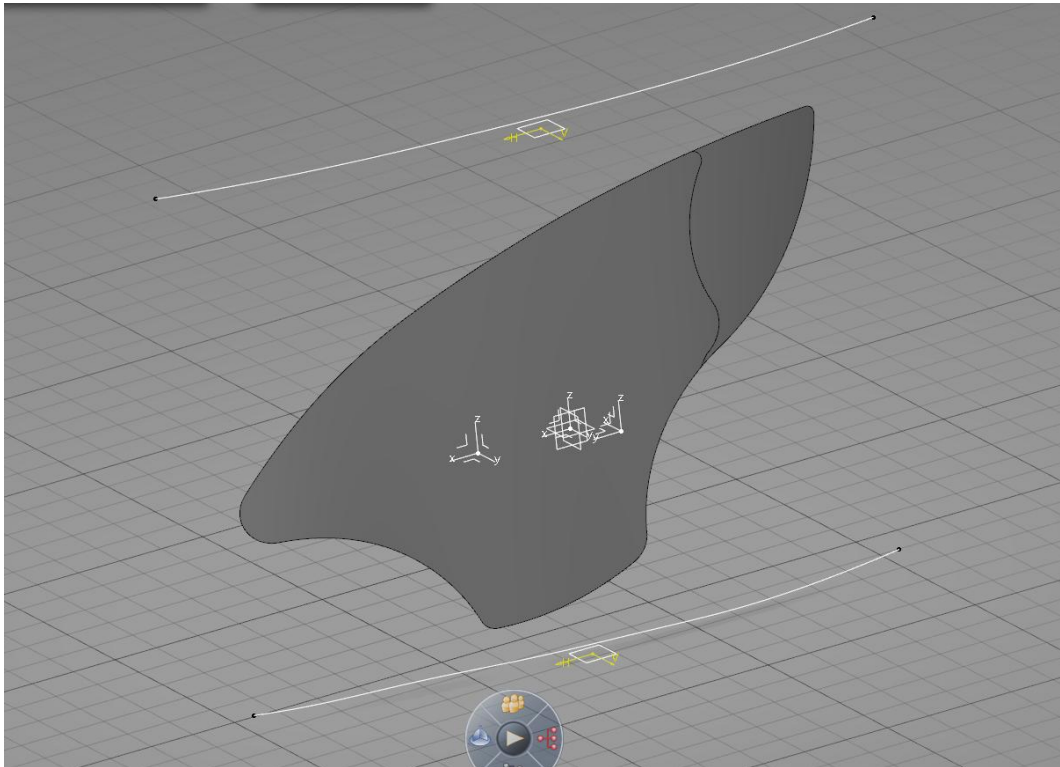
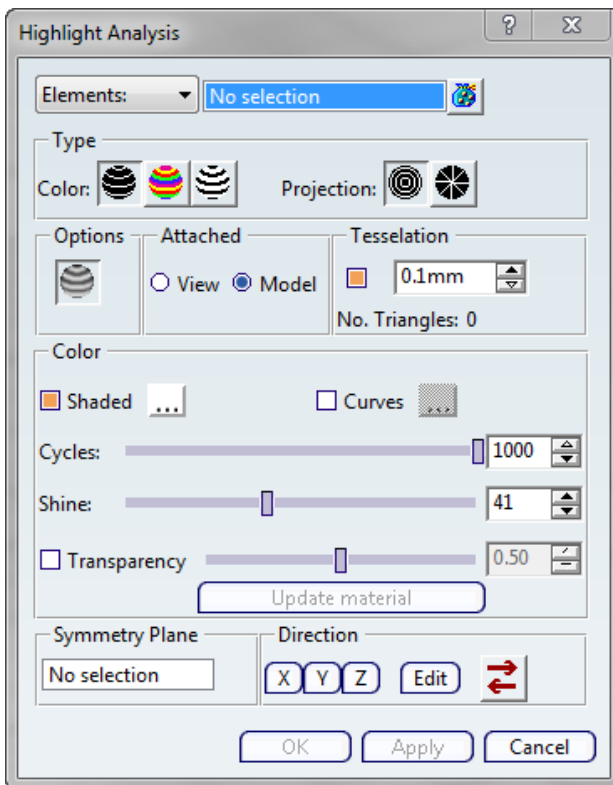


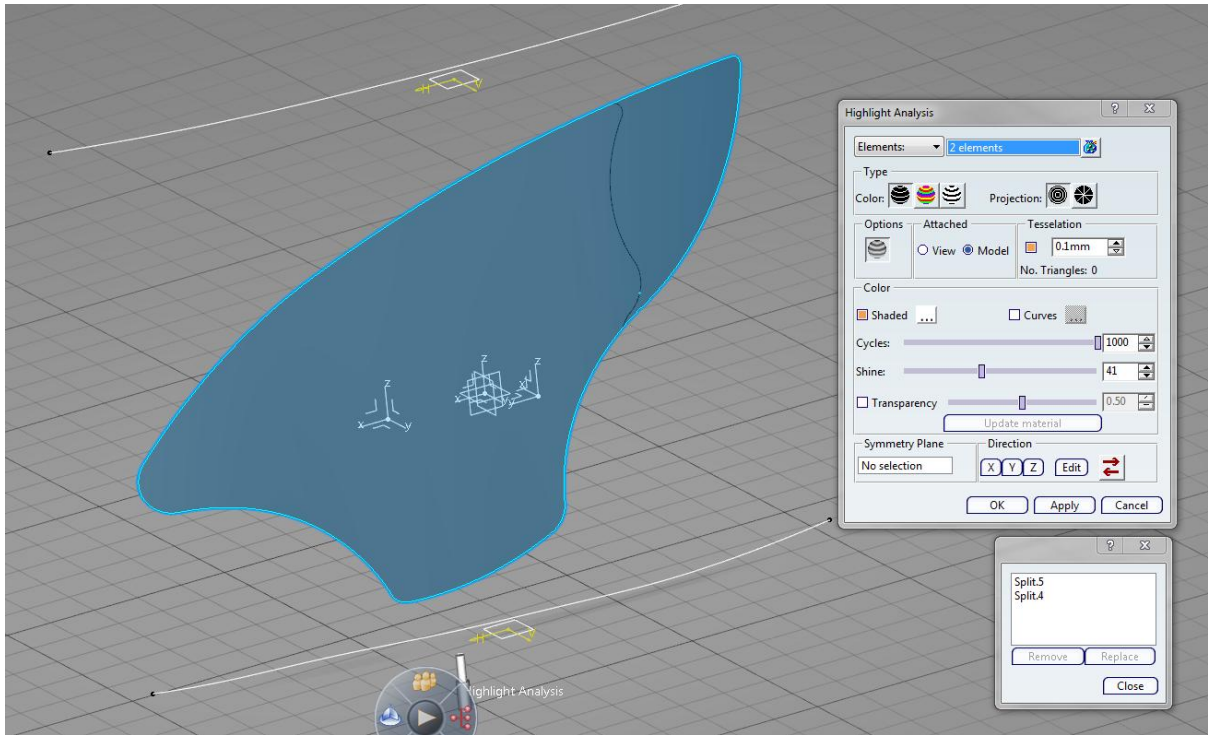


ICEM Shape Design

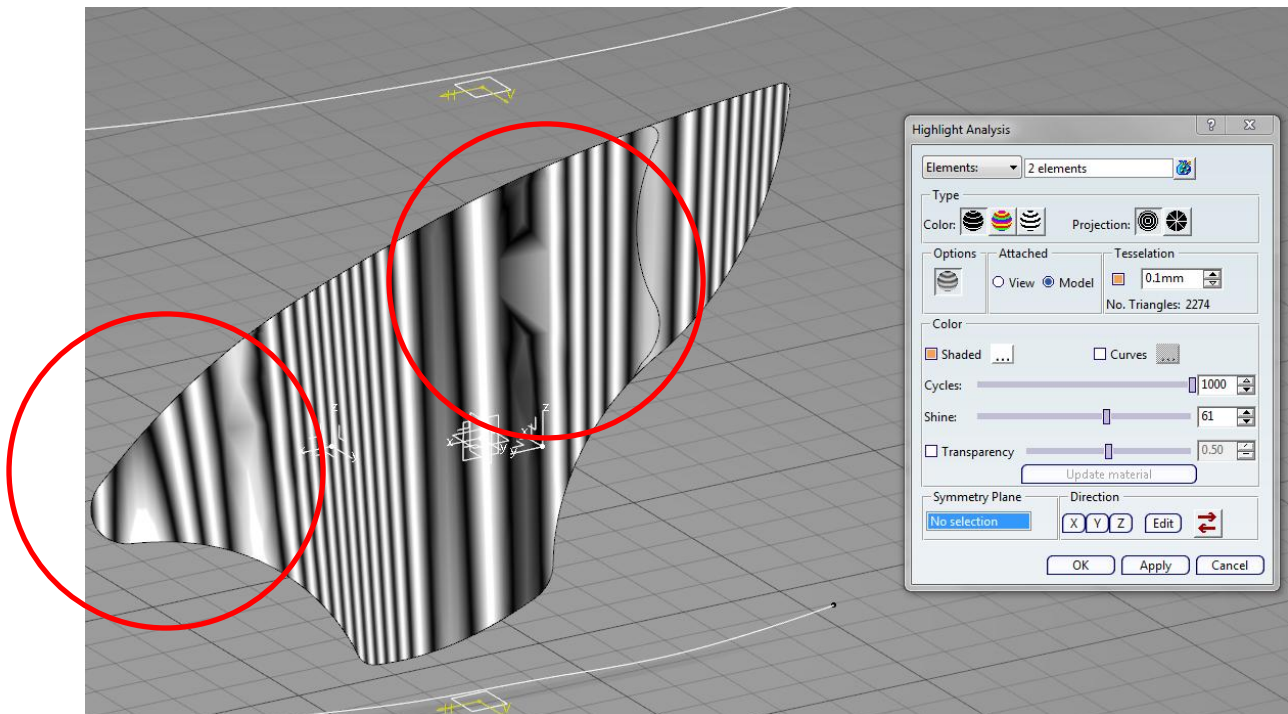


Highlight Analysis

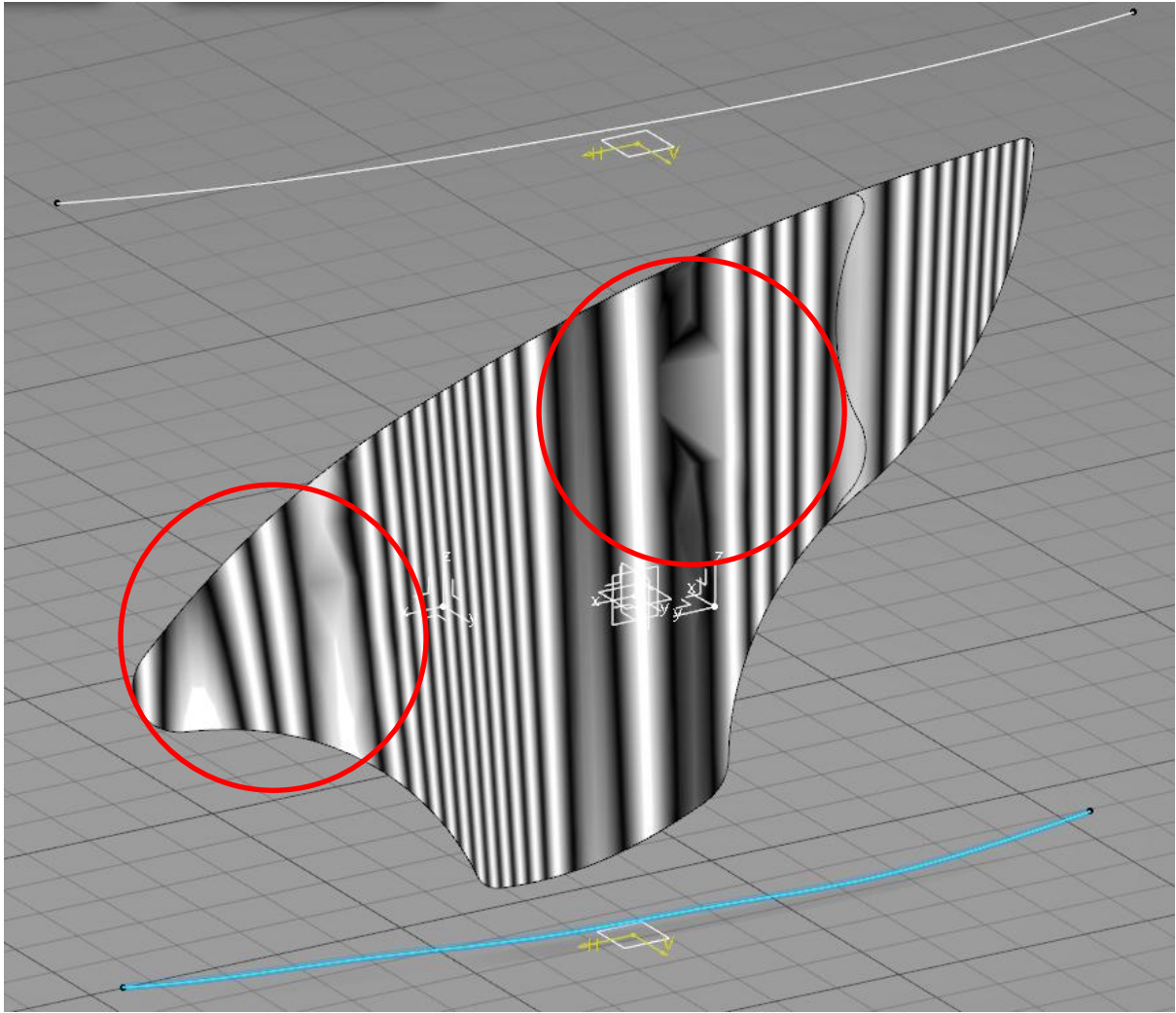




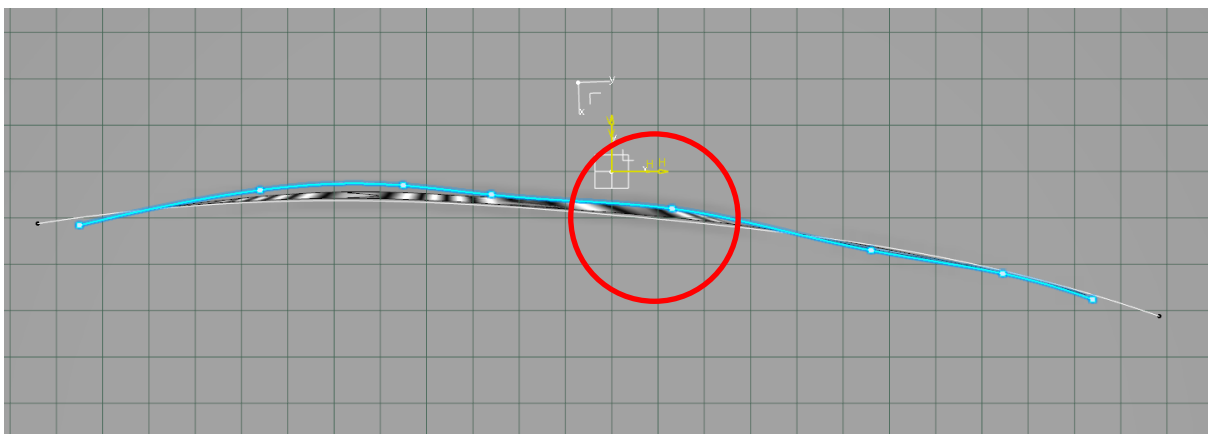
Selected surfaces for the Highlight Analysis.



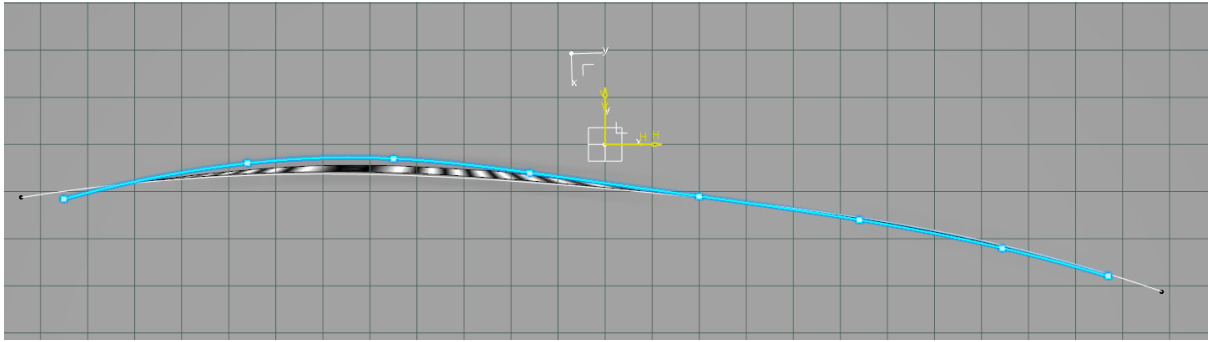
Highlight Analysis indicates surface not smooth.



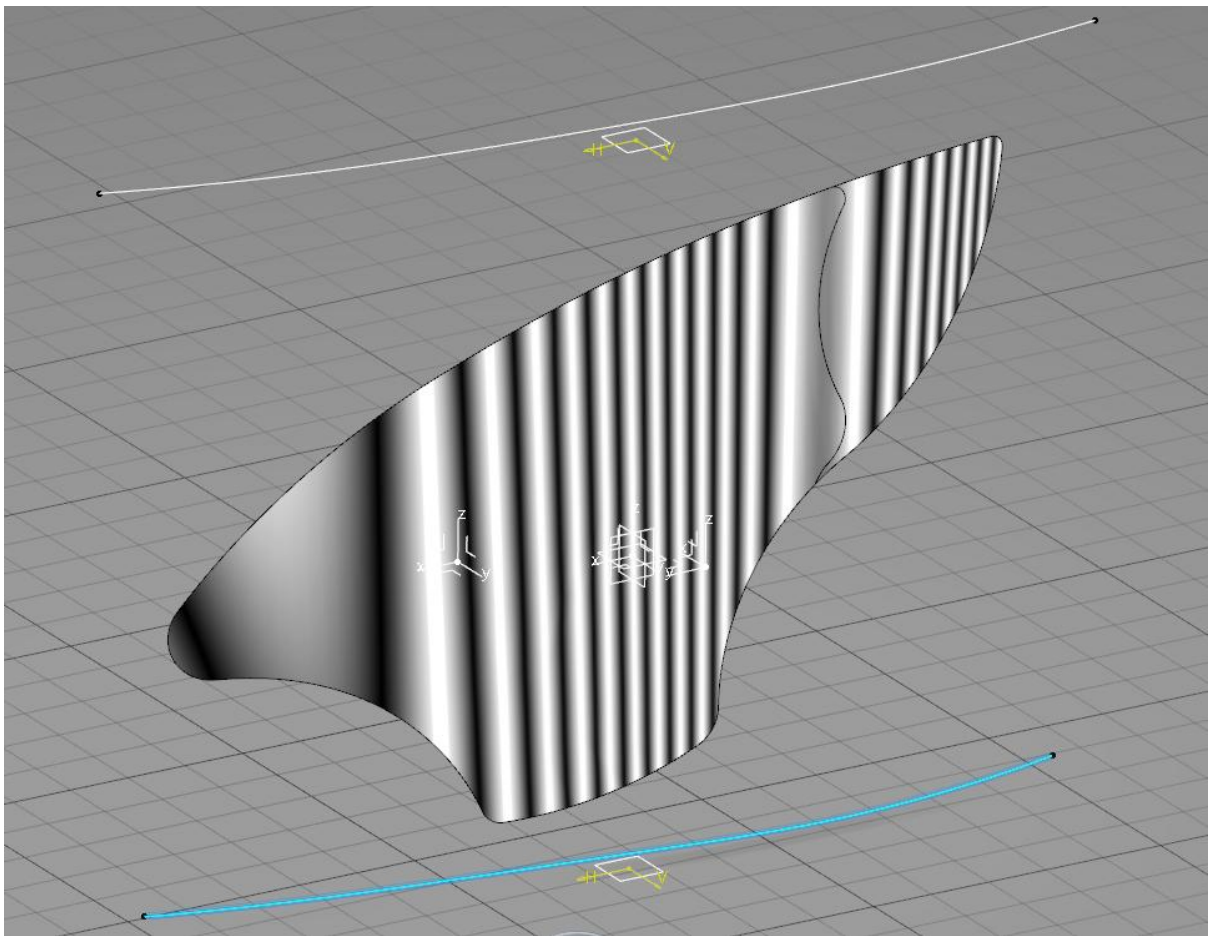
Highlight Analysis indicates surface not smooth. Sketch needs readjustment.



Edit sketch. Making sure the spline curve points are tangent.



Readjusted sketch. Spline curve is tangent.



Highlight Analysis indicates smooth surface.